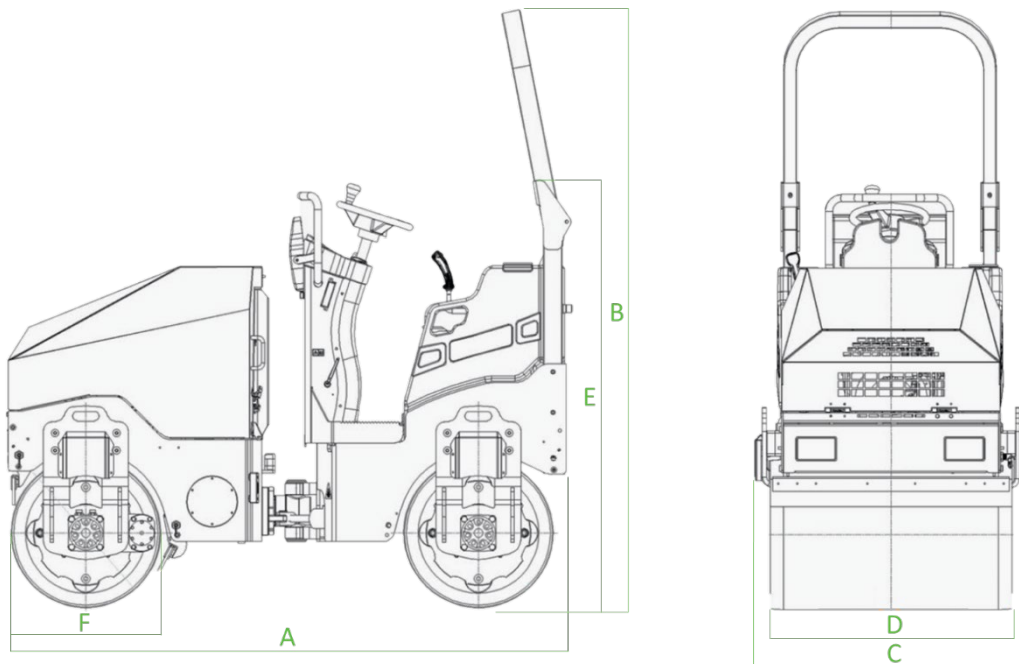


RA12



RA12 Technical Specifications

Weight	
Operating Weight	RA12 2740 lb
Performance Data	
Drum Thickness	0.5 in
Vibration Frequency	4000 vpm
Centrifugal Force (front drum)	3825 lbf
Travel Speed with Vibration	4 mph
Gradeability Maximum	30%
Water Tank Capacity	18 gal
Engine	
Engine Manufacturer	Vanguard
Engine Model	400
Cooling	air -cooled
Number of Cylinders	1
Output Power	14 HP
Operating Speed	3600 rpm
Fuel Tank Capacity	4.5 gal



Dimensions

Overall Length	A	74.5 in
Overall Height	B	83.25 in (89.5 in with beacon strobe)
Overall Width	C	37 in
Drum Width	D	31.5 in
Height ROPS Folded	E	57.5 in
Drum Diameter	F	22 in
Curb Clearance (Right)		14 in
Curb Clearance (Left)		15 in
Turning Radius (Outer)		124 in