

Rammers



PR60H

Rammer Technical Specifications

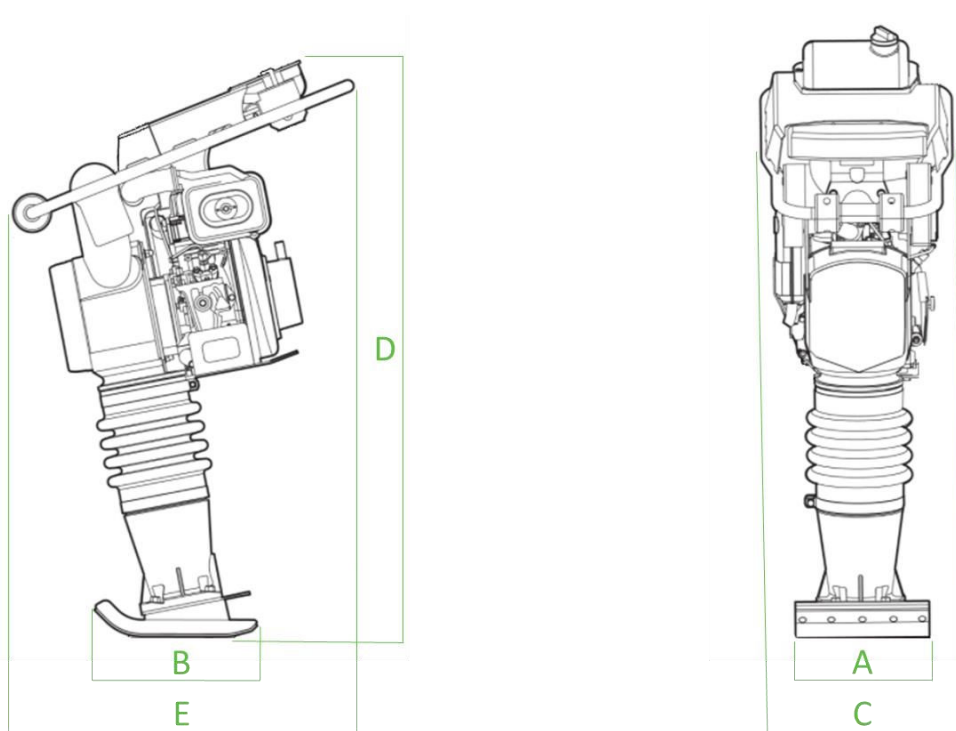
Weight	VR50H	VR60H	PR60H	PR70H
Operating Weight	139 lb	150 lb	149 lb	158 lb

Performance Data

Blows per Minute Max	695 bpm	695 bpm	695 bpm	680 bpm
Shoe Jump Height	3.3 in	3.3 in	3.3 in	3.1 in
Impact Force	2472 lbf	3147 lbf	2922 lbf	3147 lbf

Engine

Engine Manufacturer	Honda	Honda	Honda	Honda
Engine Model	GX100	GXR120	GX100	GXR120
Output Power	3 hp	4 hp	3 hp	4 hp
Fuel Tank Capacity	.58 gal	.58 gal	.74 gal	.74 gal



Dimensions		VR50H	VR60H	PR60H	PR70H
Shoe Width	A	11 in	11 in	11 in	11 in
Shoe Length	B	13 in	13 in	13 in	13 in
Overall Width	C	16 in	16 in	17 in	17 in
Overall Height	D	40 in	40 in	40.5 in	40.5 in
Overall Length	E	28 in	28 in	28.5 in	28.5 in