

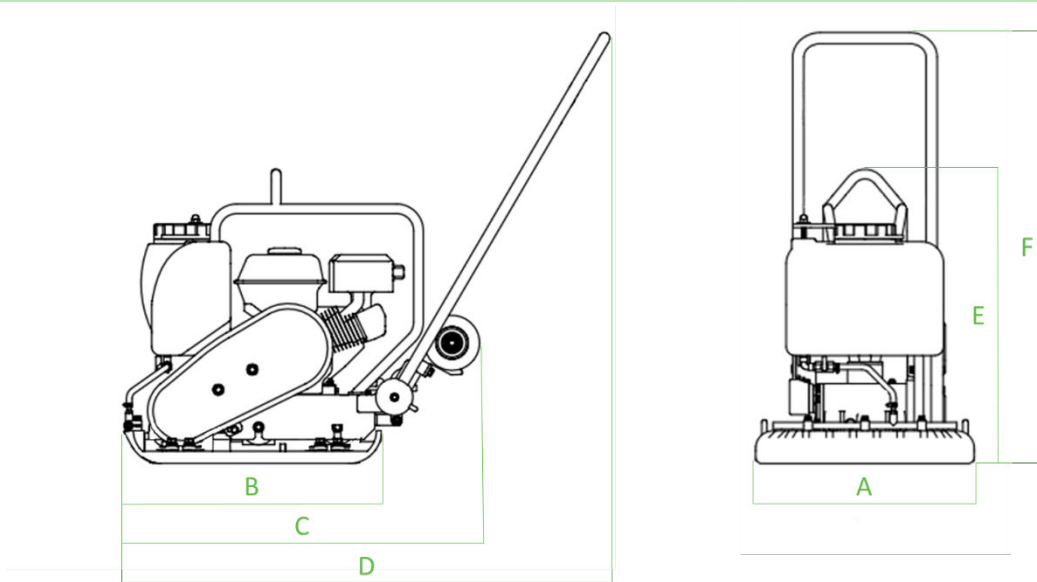
Single Direction Plate Compactors



SP5013

SP Technical Specifications

Weight	SP3410	SP5013	SP4518
Operating Weight	143 lb	183 lb	212 lb
Performance Data			
Base Plate Material	Cast Iron	Cast Iron	Cast Iron
Centrifugal Force	2248 lbf	2923 lbf	4046 lbf
Vibration Frequency	5400 vpm	5500 vpm	5400 vpm
Travel Speed	72 ft / min	96 ft / min	106 ft/min
Engine			
Engine Manufacturer	Vanguard / Honda		
Engine Model	200 / GX160		
Output Power	6.5 hp / 5.5 hp		



Dimensions		SP3410	SP5013	SP4518
Base Plate Width	A	14 in	20 in	18 in
Base Plate Length	B	19.5 in	20.5 in	22 in
Machine Length	C	25 in	28 in	27 in
Overall Length	D	40 in	42 in	41 in
Machine Height	E	22.5 in	21.5 in	24.5 in
Overall Height	F	36.5	33"	38.5 in



SP3410



SP4518